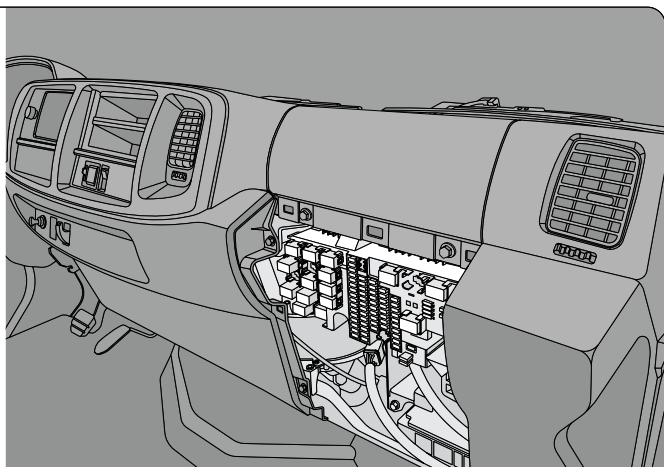
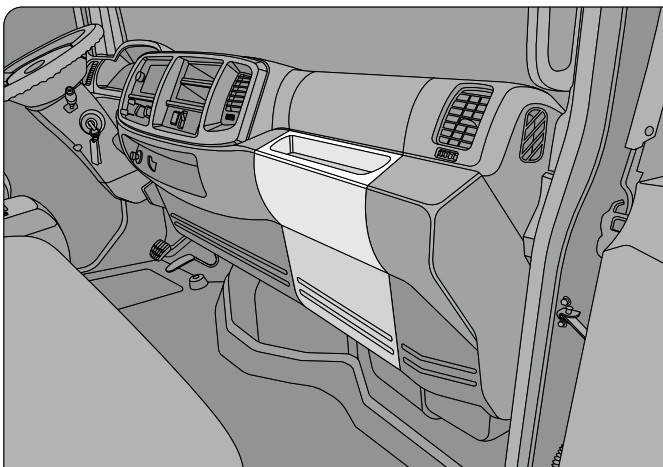
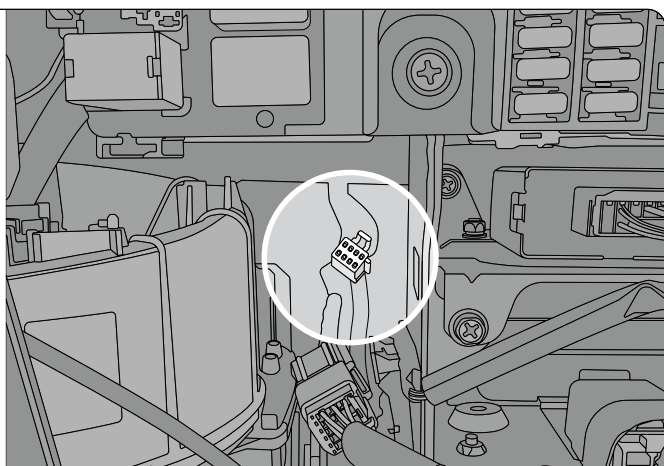
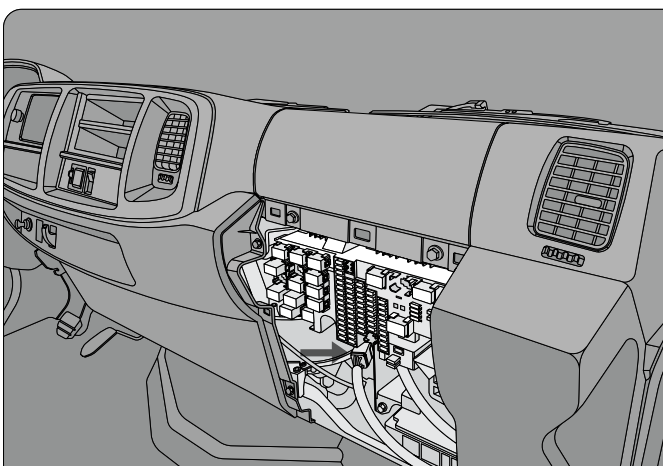


2016-2018 Hino Vehicle

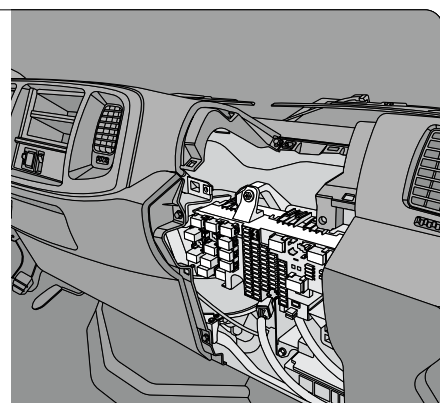
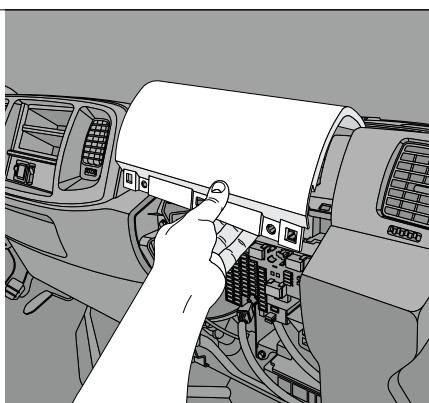
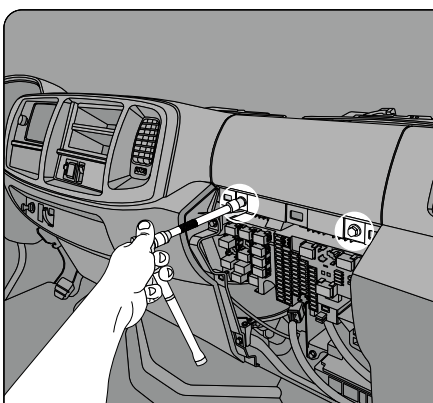
Installation Guide [for HRN-CM24Y1 and HRN-CH06A2 harnesses]



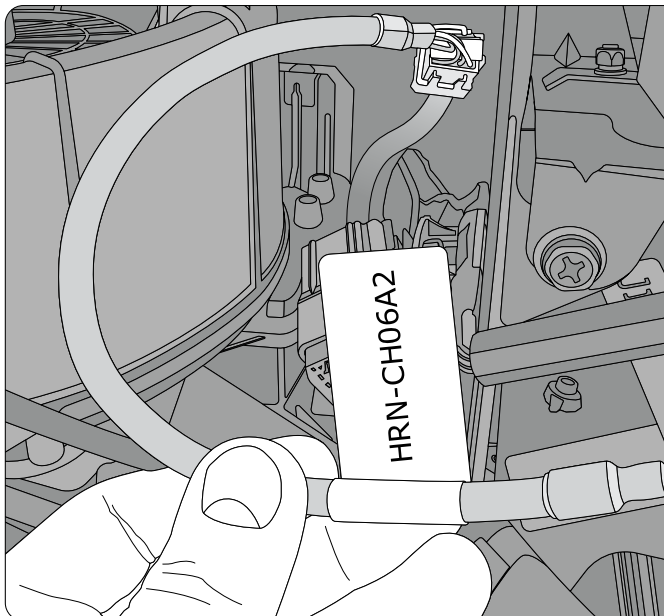
Step 1: Remove the lower passenger-side dash panel. It is held in place by clips only.



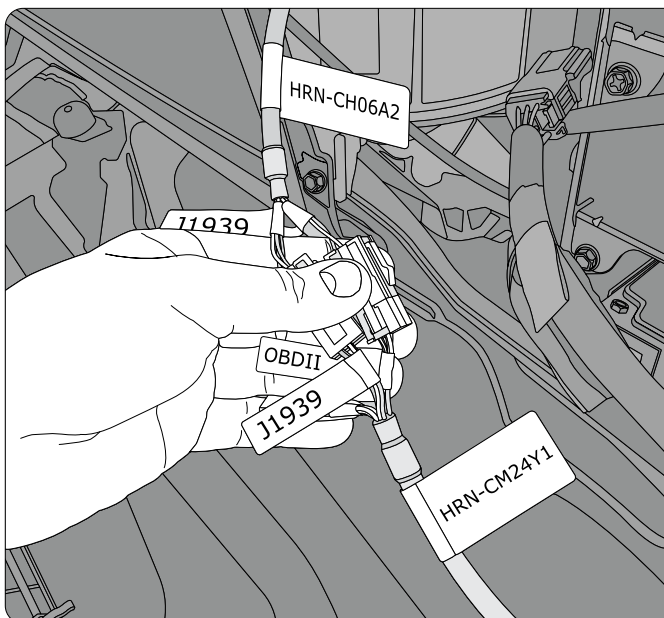
Step 2: Locate the blue 8-pin GPS connector at the back left of the fuse box.



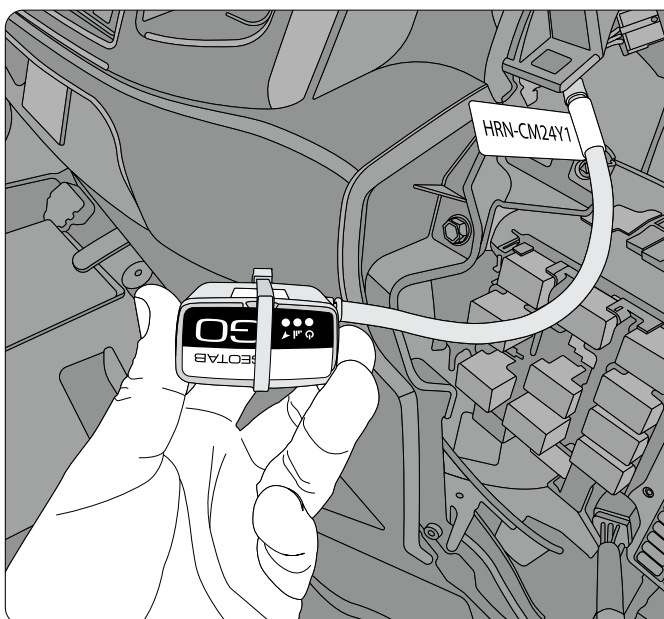
Step 3: Remove the upper passenger-side dash panel by removing the two 10 mm bolts.



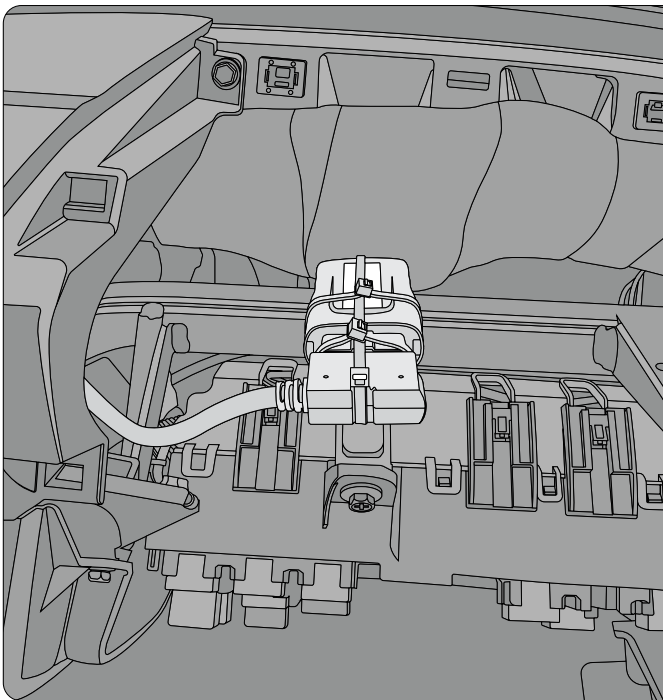
Step 4: Connect the **HRN-CH06A2** to the factory 8-pin GPS connector.



Step 5: Connect the **HRN-CM24Y1** into the **HRN-CH06A2**. Be sure to connect both the J1939 and OBD-II 6-pin connections.

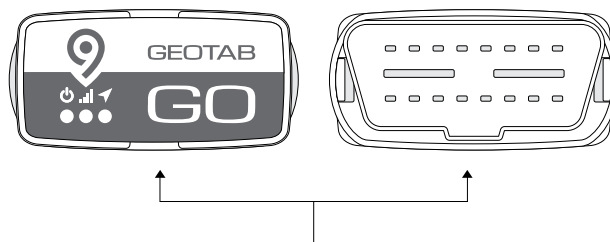


Step 6: Connect the GO device and secure it with the provided zip tie. Neatly run the GO device and cabling to the top dash to the left of the fuse box.

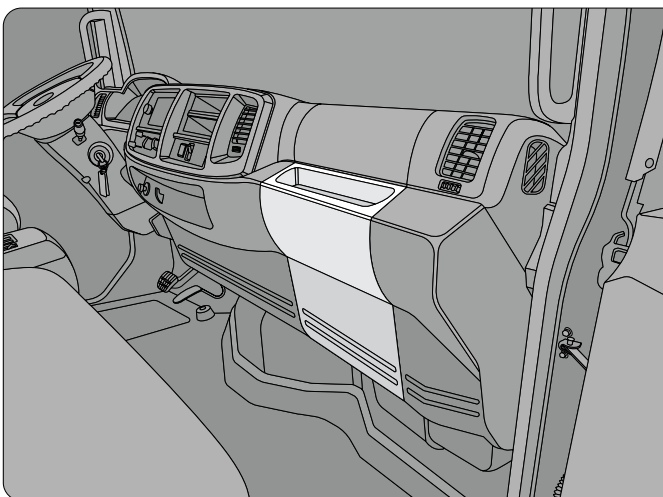


Step 7: Using zip ties, securely mount the GO device to the factory dash bracket above the fuse box.

IMPORTANT: Ensure that the GPS antenna is facing skyward.



GPS antenna is located at the "bottom" of device.



Step 8: Complete an install check for the GO device. Reinstall all dash panels when completed.